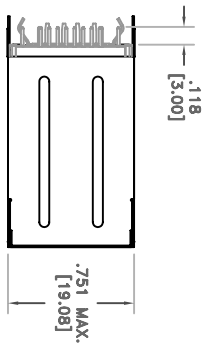
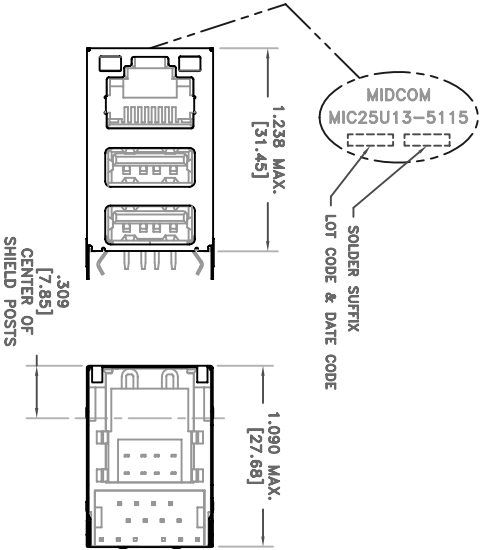


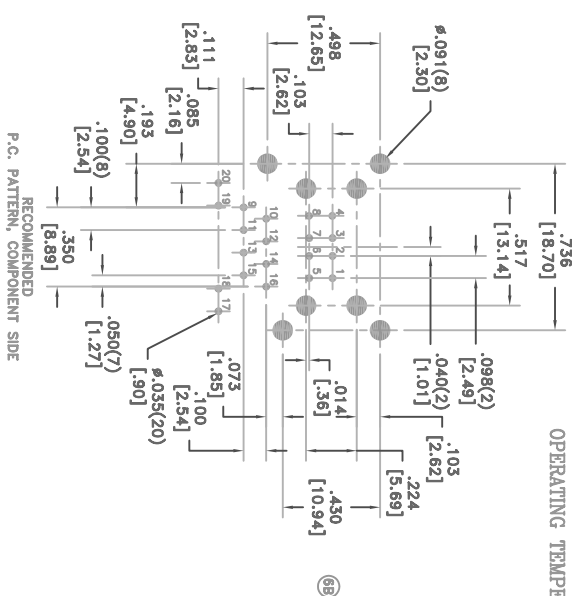
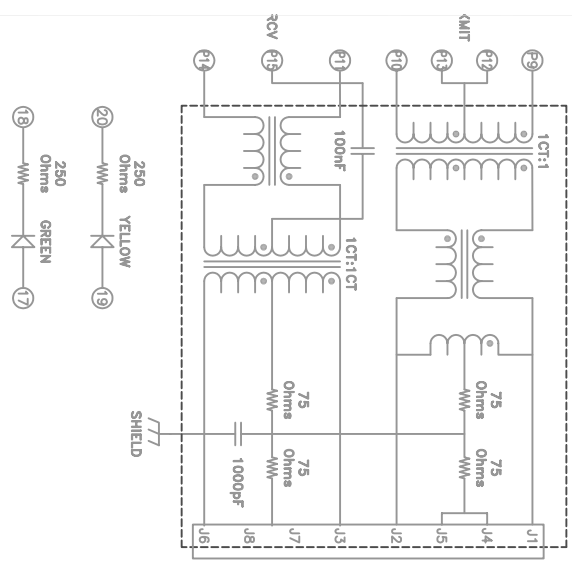
SOLDER SUFFIX	CUSTOMER TERMINAL	ROHS	LEAD(Pb)-FREE
LF3	Sn100K	Yes	Yes

MARKING DETAIL ON TOP SURFACE OF SHIELD



ELECTRICAL SPECIFICATIONS @ 25°C unless otherwise noted:

- INDUCTANCE: 350uH min., 100KHz, 100mV, 8mADC, J1-J2, J3-J6, Ip.
- 1500Vrms for 1 minute between P9-P10, J2+J3).
- DELECTRIC RATING: (P9-P10):(J1-J2) = 1:1, ±2%.  
(P11-P14):(J3-J6) = 1:1, ±2%.
- TURNS RATIO/POLARITY:
- INSERTION LOSS: -1.0dB max, 1MHz - 100MHz.
- RETURN LOSS: -18dB min., 1M - 30MHz.  
-16dB min., 30M - 45MHz.  
-14dB min., 45M - 60MHz.  
-12dB min., 60M - 80MHz.
- CROSS-TALK: -33dB min., 1MHz - 100MHz.
- COMMON MODE REJECTION: -35dB min., 1MHz - 100MHz.
- OPERATING TEMPERATURE RANGE: 0°C to +70°C.



Midcom, Inc. Watertown, SD USA Toll Free: 800-643-2661 Fax: 605-886-4486	Unless otherwise specified: Tolerances: Fractions: ±1/64 Angles: ±1° Decimals: ±.005 [0.127mm] This drawing is dual dimensioned. Dimensions in brackets are in millimeters.	DRAWING TITLE <b>TRANSFORMER</b> 749 701 021 1	DRAWING NO. <b>MIC25U13-5115W-LF3</b>	REV. 68 2/06
		REVISIONS: SEE SHEET 1	SCALE: ---	SHEET 2 OF 6

